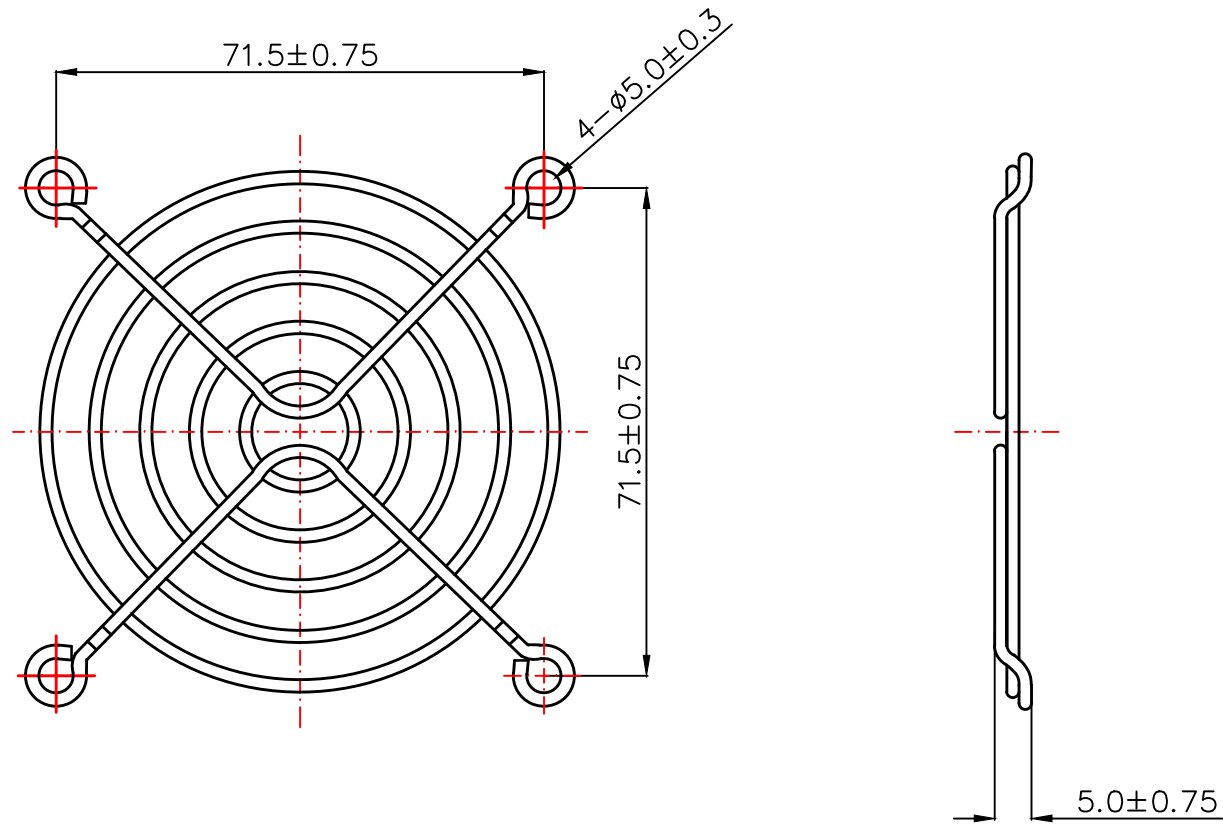


零件圖



NOTE

1. MATERIAL: C1008 BRIGHT BASIC WIRE
2. PROCESSING METHODS:
3. COLOR: CHROME PLATING
4. FINISH: NICKEL CHROME PLATING
5. FINISH: NO BURR · NO RUST AND OXYDATION



ISO9001

INVNI TECH DEVELOPING CORP.
 NO.7, ALLEY 11, LANE 144, SEC.2, YEN-PING
 NORTH ROAD, TAIPEI 103, TAIWAN R.O.C.
 TEL: (02)2553-2001 FAX: (02)2553-2004
<http://www.invnitech.com>

DRAWING	Ryu 2019.05.31	MODEL	80mm METAL FINGER GUARD(052825)			REV.2
CHECK	----	PART NO.	----			----
APPROVED	----	SCALE	A4 1:1	UNIT	mm	☉ ☒
SYMBOL	REDACTOR	DATE	DESCRIPTION			
⚠	----	----	----			
⚠	----	----	----			
⚠	----	----	----			